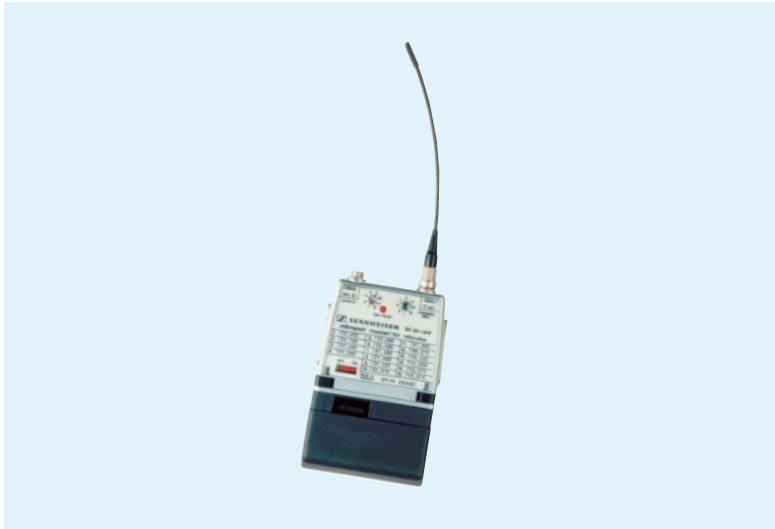


SK 50

RF Wireless Systems | 5000 Series Bodypack Transmitters

General Description

The SK 50 bodypack transmitter fulfils the most stringent demands on operation and mechanical stability. It is above all used in musicals, shows and for broadcast applications.



Features

- Bodypack transmitter for demanding broadcast and musical applications
- Battery status transmitted to suitable receivers
- Extremely reliable special sockets, metal housing
- Quick change accupack or battery box
- 16 switchable carrier frequencies per frequency window, PLL-controlled
- HiDyn *plus*[™] noise reduction system
- RF output power 50 mW
- Delivery includes: 1 SK 50 bodypack transmitter, 1 channel switcher, 1 set of colour-coded identification markers, 1 antenna

Product Variants

- | | |
|------------------------------|-----------------|
| ■ SK 50-UHF-A-A: 450–550 MHz | Cat. No. 005534 |
| ■ SK 50-UHF-A-B: 550–680 MHz | Cat. No. 005535 |
| ■ SK 50-UHF-A-C: 680–800 MHz | Cat. No. 005462 |
| ■ SK 50-UHF-A-D: 800–960 MHz | Cat. No. 005379 |
| ■ SK 50-UHF-A: 450–550 MHz | Cat. No. 005531 |
| ■ SK 50-UHF-B: 550–680 MHz | Cat. No. 005532 |
| ■ SK 50-UHF-C: 680–800 MHz | Cat. No. 005533 |
| ■ SK 50-UHF-D: 800–960 MHz | Cat. No. 005378 |
| ■ SK 50-VHF-A: 138–160 MHz | Cat. No. 005536 |
| ■ SK 50-VHF-B: 153–181 MHz | Cat. No. 005537 |
| ■ SK 50-VHF-C: 174–202 MHz | Cat. No. 005538 |
| ■ SK 50-VHF-D: 195–223 MHz | Cat. No. 005539 |
| ■ SK 50-VHF-E: 223–260 MHz | Cat. No. 005540 |

Technical Data SK 50 UHF-a

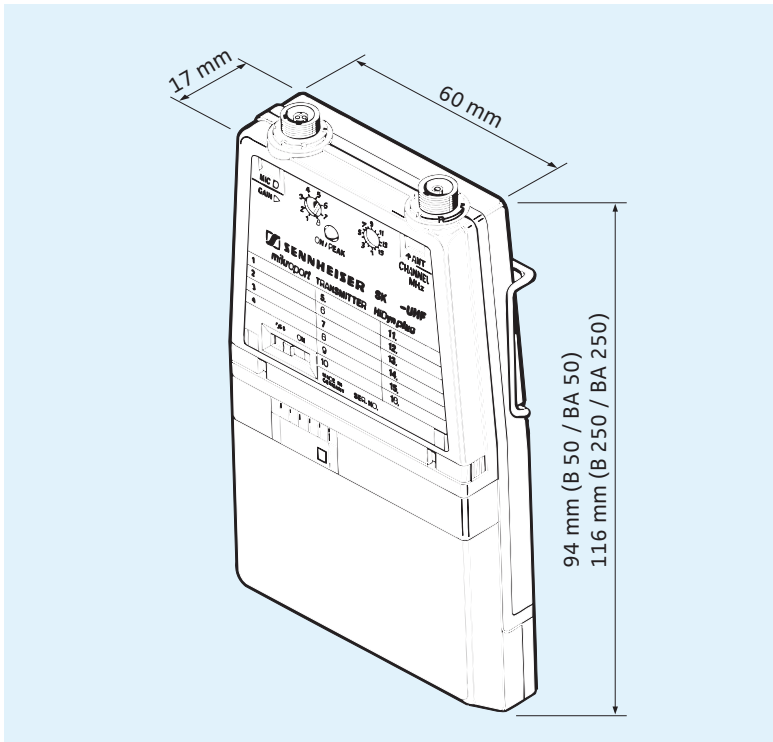
RF output power	50 mW (-3 dB)
Transmission frequencies	16
Frequency range	450–960 MHz
Switching bandwidth	24 MHz
Modulation	wideband FM
Nominal/peak deviation	± 40 kHz / ± 56 kHz
Noise reduction system	HiDyn <i>plus</i> [™]
Input sensitivity for	13 mV–1.55 V
peak deviation	switchable in 8 steps
AF frequency response	45–20,000 Hz
Signal-to-noise ratio	>117 dB(A) _{rms}
THD (at nom. deviation)	<1 %
Connectors	
- AF	special 3-pin audio socket
- RF	co-ax socket
Operating time with	
- B 50-1/BA 50-1	> 4.5 hrs / > 6 hrs
- B 250-1/BA 250-1	> 9 hrs / > 10 hrs
Dimensions with	
- B 50-1/BA 50-1	94 x 60 x 17 mm
- B 250-1/BA 250-1	116 x 60 x 17 mm
Weight incl. B 50-1/BA 50-1	approx. 197 g
Weight incl. B 250-1/BA 250-1	approx. 230 g

Technical Data SK 50 VHF

RF output power	50 mW (-3 dB)
Transmission frequencies	16
Frequency range	138–250 MHz
Switching bandwidth	7 MHz
Modulation	wideband FM
Nominal/peak deviation	± 40 kHz / ± 56 kHz
Noise reduction system	HiDyn <i>plus</i> [™]
Input sensitivity for	13 mV–1.55 V
peak deviation	switchable in 8 steps
AF frequency response	45–20,000 Hz
Signal-to-noise ratio	>117 dB(A) _{rms}
THD (at nom. deviation)	<1 %
Connectors	
- AF	special 3-pin audio socket
- RF	co-ax socket
Operating time with	
- B 50-1/BA 50-1	> 4.5 hrs / > 6 hrs
- B 250-1/BA 250-1	> 9 hrs / > 10 hrs
Dimensions with	
- B 50-1/BA 50-1	94 x 60 x 17 mm
- B 250-1/BA 250-1	116 x 60 x 17 mm
Weight incl. B 50-1/BA 50-1	approx. 197 g
Weight incl. B 250-1/BA 250-1	approx. 230 g

SK 50/SK 250

RF Wireless Systems | 5000 Series Bodypack Transmitters



Dimensions of the SK 50 / SK 250

Recommended Accessories for SK 50 / SK 250

- | | |
|---|-----------------|
| ■ B 50-1 battery box for 2 AA size batteries (only for SK 50) | Cat. No. 005269 |
| ■ B 250-1 battery box for 3 AA size batteries | Cat. No. 005271 |
| ■ BA 50-1 accupack with 2 NiMH cells (only for SK 50) | Cat. No. 005270 |
| ■ BA 250-1 accupack with 3 NiMH cells | Cat. No. 005272 |
| ■ L 50 charger for 2 accupacks | Cat. No. 003554 |
| ■ DCA 50 power adaptor | Cat. No. 003839 |
| ■ NT 50 plug-in mains unit for 4 chargers* | Cat. No. 003594 |
| ■ SK 50 T protection bag, beige | Cat. No. 003972 |
| ■ MKE 2-4 Gold-C clip-on microphone, omni, black | Cat. No. 004736 |
| ■ MKE 2-4-3 Gold-C clip-on microphone, omni, beige | Cat. No. 004739 |
| ■ MKE platinum-4-C clip-on microphone, omni, black | Cat. No. 005276 |
| ■ MKE platinum-4-3-C clip-on microphone, omni, beige | Cat. No. 005277 |
| ■ MZ 2-1 Gold accessory kit | Cat. No. 004741 |
| ■ MZ 2-2 Gold accessory kit | Cat. No. 004742 |
| ■ MZ 2-3 Gold accessory kit | Cat. No. 004743 |
| ■ ME 102 ant mini mic head, omni (anthracite)** | Cat. No. 003876 |
| ■ ME 102 nickel mini mic head, omni (nickel)** | Cat. No. 003838 |
| ■ ME 104 ant mini mic head, cardioid (anthracite)** | Cat. No. 004227 |
| ■ ME 104 nickel mini mic head, cardioid (nickel)** | Cat. No. 004228 |
| ■ KA 100 S-4 ant steel cable, straight plug (ant) | Cat. No. 004235 |
| ■ KA 100 S-4 beige steel cable, straight plug (beige) | Cat. No. 004236 |
| ■ KA 100-4 ant copper cable, rt.-angled plug (ant) | Cat. No. 004233 |
| ■ KA 100-4 gr copper cable, rt.-angled plug (grey) | Cat. No. 004234 |
| ■ MZ 100 accessory kit | Cat. No. 004226 |
| ■ MZM 2 / MZM 10 magnetic mount set | Cat. No. 001866 |

*For US and UK versions see "Accessories"

**Delivery includes windshield